

HP DesignJet 755CM, 750C Plus and 700 Printers Data Sheet

*General-purpose large-format
printing for networked
workgroups*

HP DesignJet 755CM Printer

- Color, plug-and-play PostScript® printer for CAD and corporate workgroups
- C3198B (36 inch) \$8,995*

HP DesignJet 750C Plus Printer

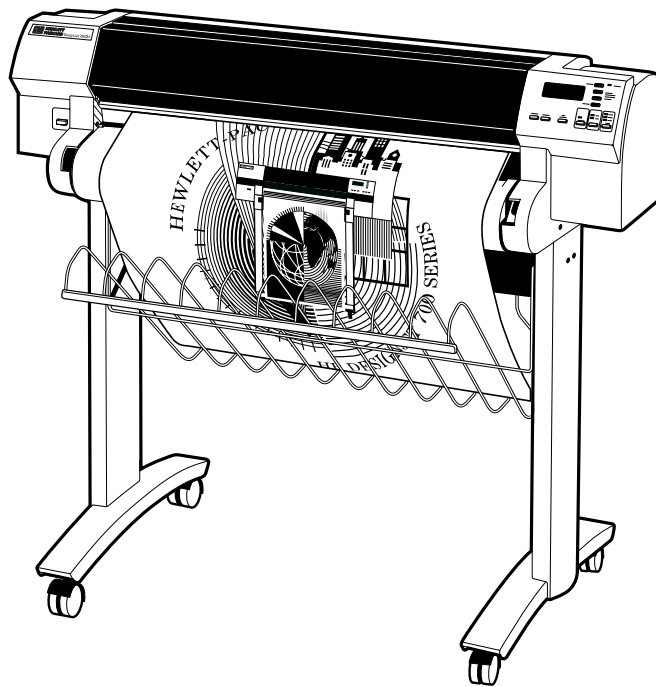
- Color printer for CAD and corporate workgroups
- C4709B (36 inch) \$6,995*
- C4708B (24 inch) \$5,995*

HP DesignJet 700 Printer

- Black-only printer for CAD and corporate workgroups
- C4706B (36 inch) \$5,495*
- C4705B (24 inch) \$4,495*

Highlights

- Crisp line drawings and near-photo-quality images
- Ideal for line drawings, layouts, illustrations, and presentations
- True 600-dpi black, 600-dpi-addressable color line drawings, and 300-dpi color images
- Prints 2- by 3-foot check plots in about 2 minutes, line drawings in about 4 minutes, and images in about 10 minutes
- Up to 16.7 million bold, brilliant colors and dense, dark black deliver presentation-quality output
- Accepts a wide variety of media to handle check plots, final output, presentations, overlays, and archiving
- HP JetDirect interface cards make network integration easy
- Queuing, nesting, roll feed and automatic cutter for efficient unattended printing
- Custom HP-developed drivers for AutoCAD™ and Microsoft® Windows®, and for Unix®, take full advantage of printer features
- HP ZoomSmart scaling technology for large-format output from virtually any Windows application
- HP ColorSmart technology automatically optimizes output for vibrancy, clarity, and balance
- Backed by a one-year warranty with free onsite service
- HP DesignJet 755CM printer comes with:
 - HP Color Management Kit with Agfa FotoTune software plus Pantone®**, Kodak and Adobe® profiles for color matching
 - PostScript drivers for Microsoft Windows and Macintosh



* U.S. list price

** Pantone, Inc.'s check-standard trademark for color

HP DesignJet 755CM, 750C Plus and 700 Printers

Specifications	
Print Technology	Color or black-only thermal inkjet
Performance (2 × 3 ft)	Draft prints in about 2 minutes; final-quality, color lines in about 4 minutes; final-quality images in about 10 minutes
Maximum Resolution	Black: 600 dpi; Color: Addressable 600 dpi (lines), 300 dpi (images)
Media Types	Bond, coated and glossy papers and films, vellum, and clear and matte film for black and color; translucent bond for black-only
Media Sizes 36-in models 24-in models Maximum length	Rolls 36- and 24-in wide; Sheets 8.3-in to 36-in wide Rolls 24-in wide; Sheets 8.3-in to 24-in wide Rolls 150 ft; Sheets 64 in
Margins	Leading and trailing edges: 0.39 in for rolls; 0.67 in for sheets; Sides: 0.20 in
Media Handling	Sheet and roll feed, automatic cutter, output bin
Memory HP DesignJet 755CM HP DesignJet 750C Plus HP DesignJet 700	72-MB RAM 8-MB standard/72-MB maximum 4-MB standard/68-MB maximum
Languages HP DesignJet 755CM HP DesignJet 750C Plus and 700	Adobe PostScript Level 2, HP-GL/2, HP-GL, HP RTL, CALS, CGM-ATA Standard: HP-GL/2, HP-GL, HP RTL, CALS, CGM-ATA; Optional: Adobe PostScript Level 2.
Drivers AutoCAD Windows PostScript Unix	R14: Windows 95, NT; R12, 13: DOS, Windows 95, 3.1, NT 3.51, 4.0; R10, 11: DOS Windows 95, 3.1, NT 3.51, 4.0 Windows 95, 3.1, NT 3.51, 4.0; Macintosh 7.0 or later; Quickdraw GX 7.5 or later ZEHRaster for HP
Interfaces, Standard	Ethernet, LocalTalk, IEEE-1284 compatible Centronics parallel, RS-232-C serial
Interfaces, Optional	HP JetDirect network interface cards
Auto I/O Switching	Yes
Front Panel Display	2 lines × 20 characters; vacuum fluorescent display
Warranty	One year with free onsite service

Physical Characteristics	
Height, Width, Depth / Weight	36-in models 47 in H by 54 in W by 27 in D / 132 lb 24-in models 47 in H by 42 in W by 27 in D / 108 lb
Shipping Dimensions / Weight	36-in models 36 in H by 61 in W by 24 in D / 219 lb 24-in models 36 in H by 50 in W by 24 in D / 175 lb

Operating Environment	
Temperature	Operating, Optimal 59° to 86° F; Storage -40° to 158° F
Operating Relative Humidity	20% to 80%
Power Requirements	Source 100-240 V AC ±10%; Frequency 50-60 Hz
Power Consumption	140 watts maximum
Acoustics	(Per ISO DP 7779 standard) Printing Idle Sound Pressure Level* 54 dB (A) <20 dB (A) Sound Power Level 6.5 Bels (A) <3.6 Bels (A)

Product Certifications	
Safety	UL listed, CSA certified, NEMKO approved, NOM certified 950 et al
Electromagnetic Interface	FCC Class B certified, EN 55022 (1988), CISPR class B, prEN 55024 -2, -3, -4, C+ VCCI-2, DOC Class B with IEEE 802.3, 802.5 LAN FCC Class A, CISP Class A, DOC Class A, VCCI-1
Telecom	General approved NS/G/1234/5/100003

Ordering Information	
Description	HP P/N
HP DesignJet 755CM 36-inch model	C3198B
HP DesignJet 750C Plus 36-inch model 24-inch model	C4709B C4708B
HP DesignJet 700 36-inch model 24-inch model	C4706B C4705B

All HP DesignJet 700 Series printers come with User's Guide and Quick Reference, software application notes, drivers, paper, and print cartridges.

Accessories	HP P/N
PostScript Upgrade Kit	C4707A
HP Print Cartridges	
Black	51645A
Cyan	51644C
Yellow	51644Y
Magenta	51644M
HP Memory Expansion Modules	
16-MB SIMM	C6231A
32-MB SIMM	C6232A
Rollfeed Spindle Assembly	
24-in model	C3172A
36-in model	C3173A
HP JetDirect Network Interface Cards	
Ethernet (10/100Base-T)	J2556B
Token Ring	J2555B

AutoCAD is a U.S. trademark of Autodesk, Inc. Microsoft and Windows are registered trademarks of Microsoft Corporation in the United States. Adobe and PostScript are U.S. trademarks of Adobe Systems, Inc. ZEHRaster for HP is furnished by ZEH Graphic Systems to HP standards and specifications. Unix is a registered trademark of the Open Group.

Technical information in this document is subject to change without notice. As an ENERGY STARSM Partner, Hewlett-Packard Company has determined that this product meets Energy StarSM guidelines for energy efficiency.

HP DESIGNJET
HELPING
the WORLD
make a



Adobe PostScript

* Typical emissions at 1-meter bystander position